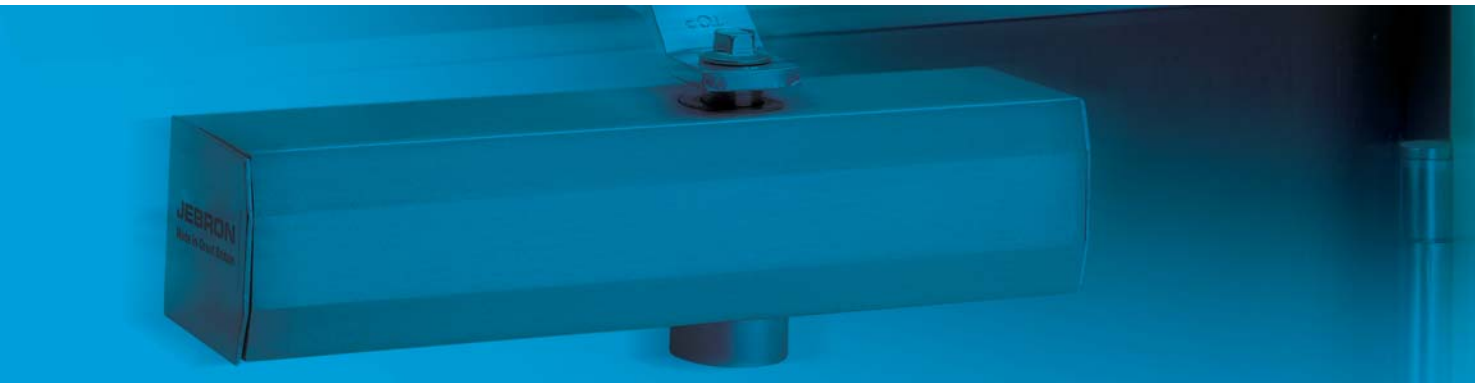


5000 SERIES DOOR CLOSERS



*Door closers contribute to privacy, draught prevention and heat saving, but perhaps more importantly, they check the spread of fire and smoke - **their reliability is vital.***

All of Jebron's door closers are designed with this in mind.

An economy overhead door closer for applications which do not demand optional functions such as backcheck or adjustable delayed action



5800 series

5000 SERIES DOOR CLOSERS

Range

The 5000 range includes two models with:

- Closing speed control
- Latch speed control
- Power size selectable (by fitting)
- Hold open arm

	standard	delayed action	backcheck	backcheck & delayed action
size 2/3 selectable				
standard fixed arm	5700	-	-	-
size 3/4 selectable				
standard fixed arm	5800	-	-	-
hold open arm	5802	-	-	-

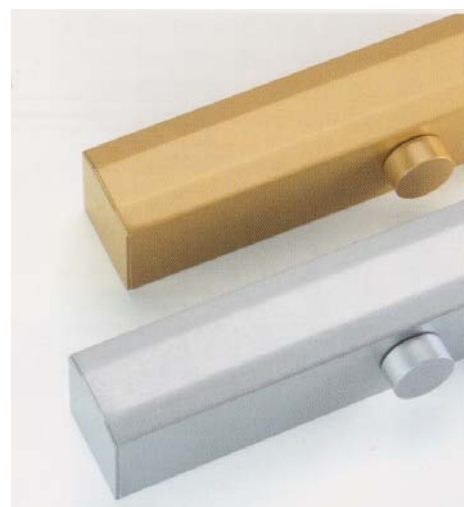
Construction

- The extruded aluminium body provides the basis for excellent roundness in the bore of the closer for longer life, high efficiency and reliability
- Stainless steel and steel precision manufactured internal components

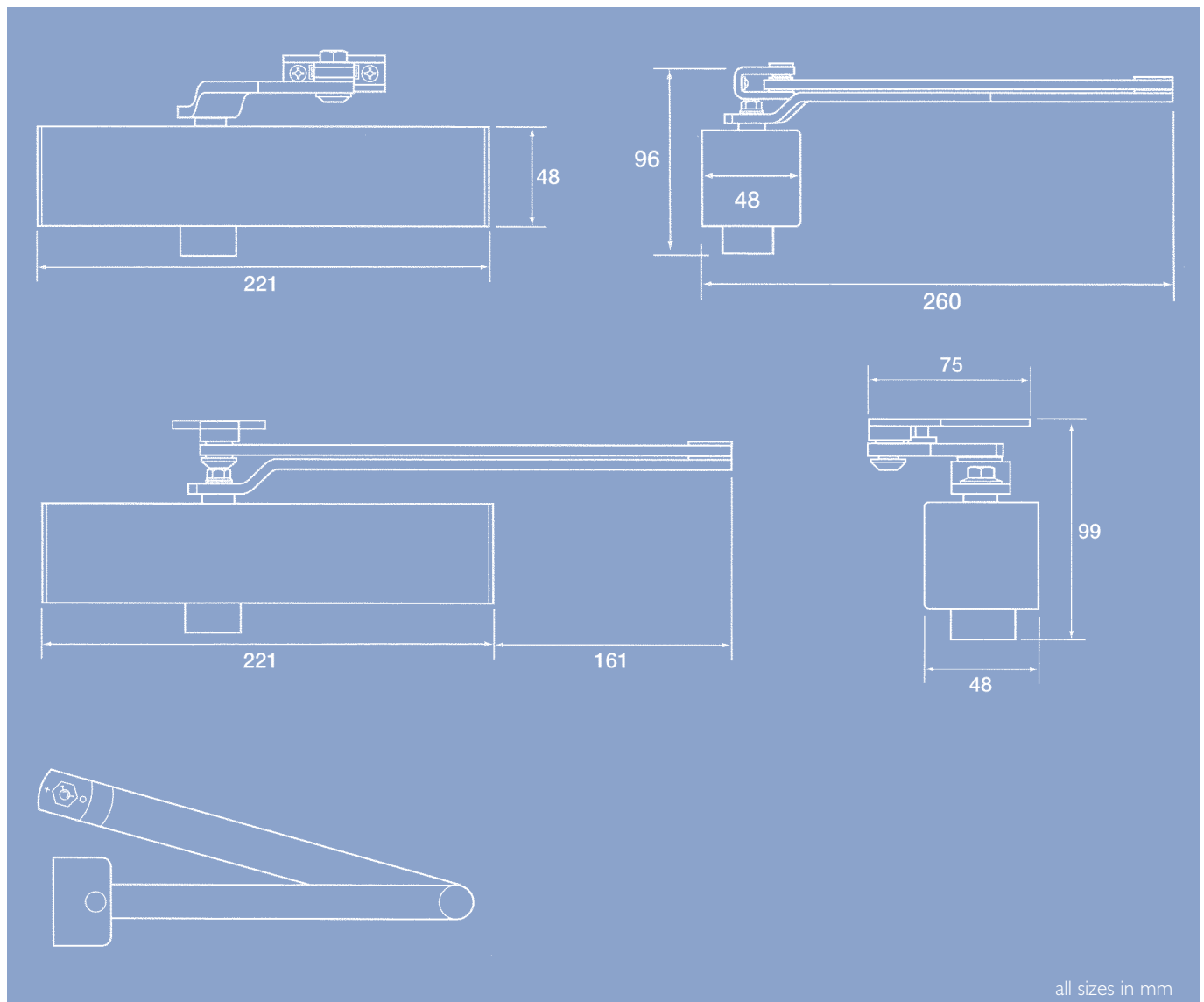
Finishes

The 5000 range offers the following finishes:

- Silver
- Gold
- RAL colours



Dimensions



Standards

- Jebron 5800 series door closers successfully conform to [BS EN 1154](#).
- Jebron 5800 series door closers are 'CERTIFIRE' approved, Certifire Ref: I14

Special Features

- Cam and roller mechanism
- High efficiency
- Complete range under one design for perfect suiting
- Easy opening and good holding forces, especially suitable for schools, nurseries, hospitals and nursing homes
- Matching arm



Jebron Limited, Bright Street, Wednesbury, West Midlands, WS10 9HY

Tel: +44 (0) 121 526 2212 **Fax:** +44 (0) 121 568 2131 **Email:** sales@jebron.co.uk **Website:** www.jebron.co.uk