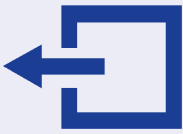


# Special Products Ultimate Transom



The combined engineering expertise of Jackson and sister company Jebron has resulted in some unique products and solutions to today's installation problems.

For double action applications where floorsprings cannot be used, the ultimate transom closer has been created.

Marrying Jebron's floorspring technology with Jackson's transom engineering has resulted in a product suitable for double action fire doors with the following key benefits:

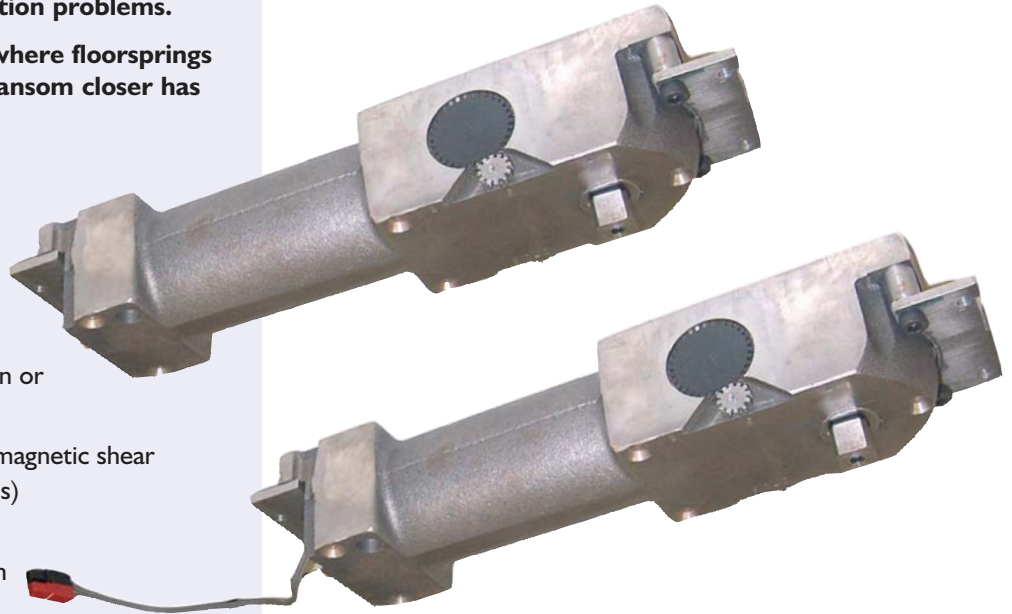
- No visible arms when doors open or closed
- Positive centring action (if using magnetic shear locks, please consult Jackson sales)
- 180 degree opening in each direction (controlled closing from 170 degrees)
- Electro-magnetic version available



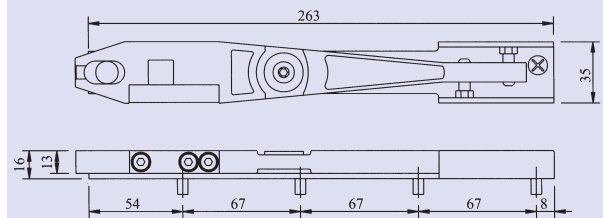
## For the installer:

- lateral adjustment on both the bottom strap and top strap for accurate fitting gear adjustment to ensure perfect alignment of doors after fixing.

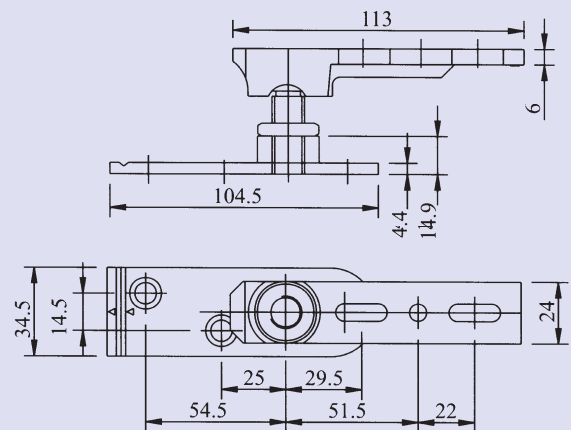
## The Ultimate Door Closer For Fire Door Sets



### TYPICAL SIDE LOAD ARM SET R510-SA



### R510-HFP (HEAVY DUTY)



AVAILABLE WITH INTUMESCENT PACK AND STAINLESS STEEL COVER PLATE

AVAILABLE AS HEAVY DUTY PIVOT IN STAINLESS STEEL